

29 126 705



- rotary diverter
 - hole diameter 37 mm
 - rosette 60 x 60 mm
 - 1/2" connection
 - max. flow 23.5 l/min at 3 bar flow pressure
- Not suitable for combining with Perfecto (12 614 970 90).**

Not suitable for combining with Perfecto (12 614 970 90).

Required miscellaneous

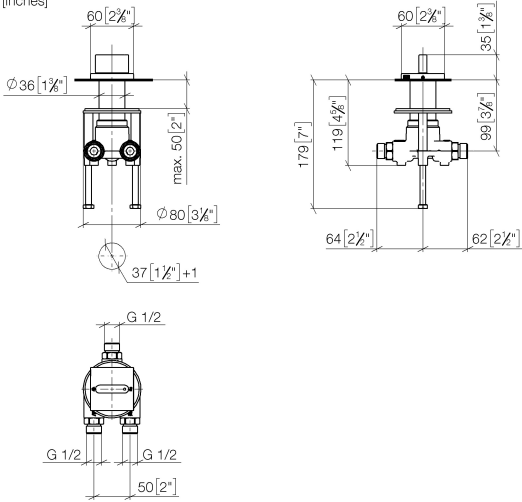


Hose set -

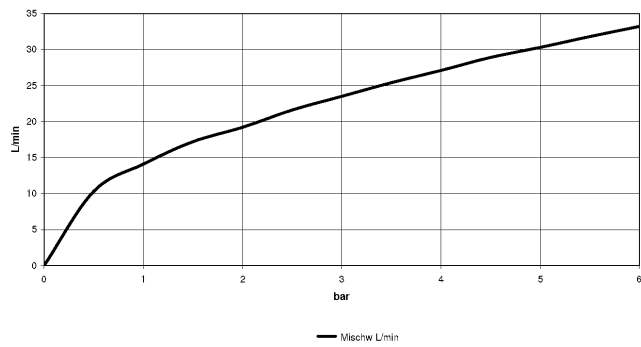
12 509 970 90

29 126 705

mm [inches]



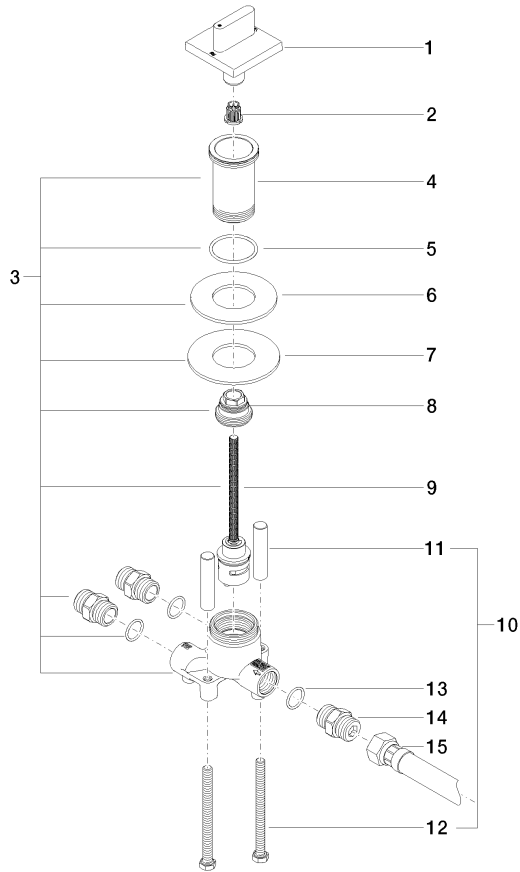
Flow rate chart



Certificates

IAPMO_4976 (5). LGA_18893.

29 126 705



Spare parts list

| No. | Item Number | Name | Quantity used | Delivery time |
|-----|--------------------|---|---------------|---------------|
| 1 | 90 20 70 052 01-00 | handle | 1 | 10 |
| 2 | 90 12 12 002 00 90 | fixing cap | 1 | 2 |
| 3 | 04 17 01 198 00 90 | diverter | 1 | 60 |
| 4 | 09 30 01 209 90 | connection | 1 | 2 |
| 5 | 09 14 10 038 90 | seal | 1 | 2 |
| 6 | 09 14 05 059 90 | seal | 1 | 2 |
| 7 | 09 30 11 136 90 | disc | 1 | 2 |
| 8 | 09 24 04 223 90 | nipple | 1 | 2 |
| 9 | 90 90 03 159 00 90 | diverter | 1 | 2 |
| 10 | 04 30 30 153 00 90 | fixing set | 1 | 2 |
| 11 | 09 18 40 114 90 | sleeve | 2 | 2 |
| 12 | 09 30 30 153 90 | screw | 2 | 2 |
| 13 | 90 14 10 010 00 90 | seal | 3 | 2 |
| 14 | 90 24 03 168 00 90 | nipple | 3 | 2 |
| 15 | 12 503 970 90 | High pressure hose 1/2" x 1/2" x 600 mm - | 1 | 2 |